

# Line pressure regulator HP 301

- dual stage max 300 bar inlet pressure



Fittings and gauges optional

## Description:

HP 301 is a dual stage line pressure regulator and recommended for high purity gas applications. Due to the dual stage construction the working pressure of HP 301 is absolutely stable even if inlet pressure drops down.

## Application area:

For integrating in pipe systems or (analytical) instruments.

High purity gas quality in science and research.

Low and stable working pressures.

## Technical details:

Body: stainless steel 1.4404  
electropolished or brass, nickel & matt chrome plated

Seat : PCTFE

Diaphragm: 1.4435

Leakage rate:  $10^{-8}$  mbar l/s He  
against atmosphere

Gas purity:  $\leq 6.0$

Max. Inlet pressure: 300 bar

Outlet pressure ranges: 0,1-1; 0,1-3;  
1-6; 1-12 bar

Operating temp.: -20°C to +70°C

Gauges: safety version  
to EN 837-1 KL1,6

Dimensions (WxHxD): 180 x 95 x 205 (mm)

Weight: 1950g

## Hornung Quality standard

The company Hornung is certified to

**DIN EN ISO 9001 and ISO 14001:2009.**

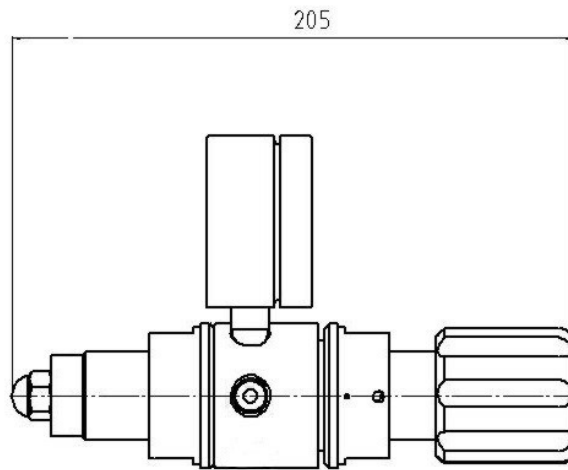
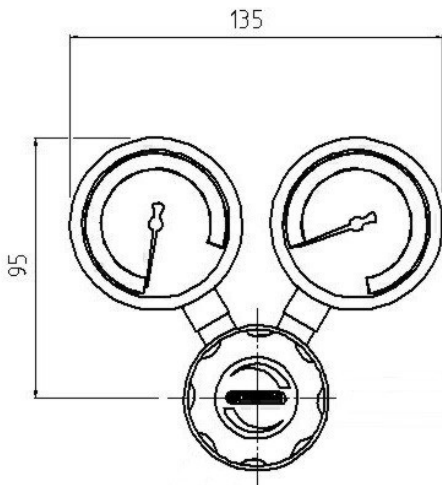
All single parts are manufactured, assembled and tested by in-house production.

The finished parts are therefore under all criteria of German quality control with 100% final inspection.

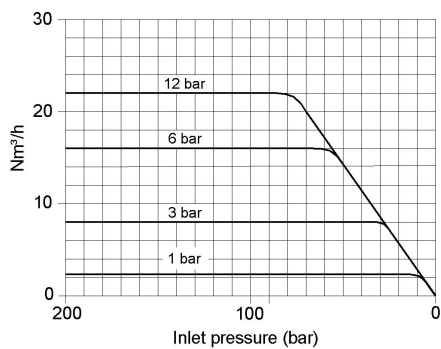
Hornung GmbH  
Rathenaustraße 55, 63263 Neu-Isenburg

Phone: +49 6102 7883-70  
Fax: +49 6102 7883-40

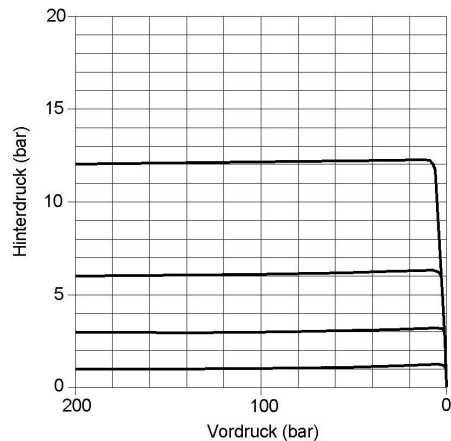
www.hornung.org  
info@hornung.org



### Performance curve HP 301



### Dynamic flow curve HP 301



### Accessories:

See total catalogue segment

7. Gauges, compression fittings and accessories

### Ordering information

#### Material:

**HP301** = stainless steel electropolished  
**HP301MS** = brass, nickel and matt chrome plated

#### Outlet pressure ranges:

- 1 = 0,1 - 1 bar
- 2 = 0,1 - 3 bar
- 3 = 1 - 6 bar
- 4 = 1 - 12 bar

#### Gauge:

- 1 = without gauges
- 2 = outlet gauge (working pressure)
- 3 = in and outlet gauges

#### Inlet – and Outlet Option:

- 0 = NPT 1/4" f
- 3 = compression fitting 3mm
- 6 = compression fitting 6mm
- 8 = compression fitting 8mm
- 10 = compression fitting 10mm
- 12 = compression fitting 12mm

#### Order example:

|                |         |
|----------------|---------|
| Regulator type | 2-stage |
| <b>HP301</b>   |         |

|               |          |          |          |            |
|---------------|----------|----------|----------|------------|
| <b>HP301-</b> | <b>2</b> | <b>3</b> | <b>6</b> | <b>Gas</b> |
| Type          | Pressure | Gauge    | Option   | Gas type   |